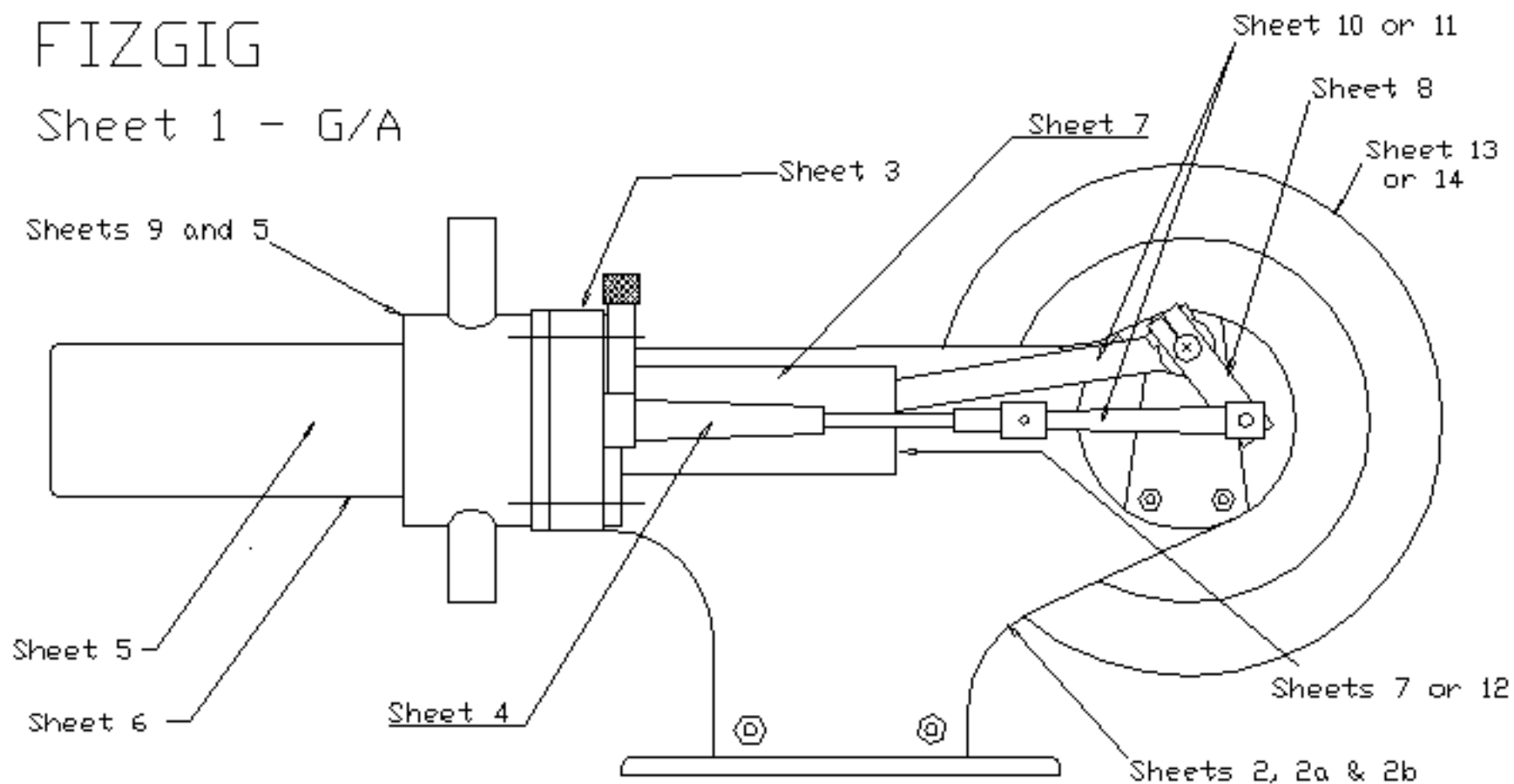


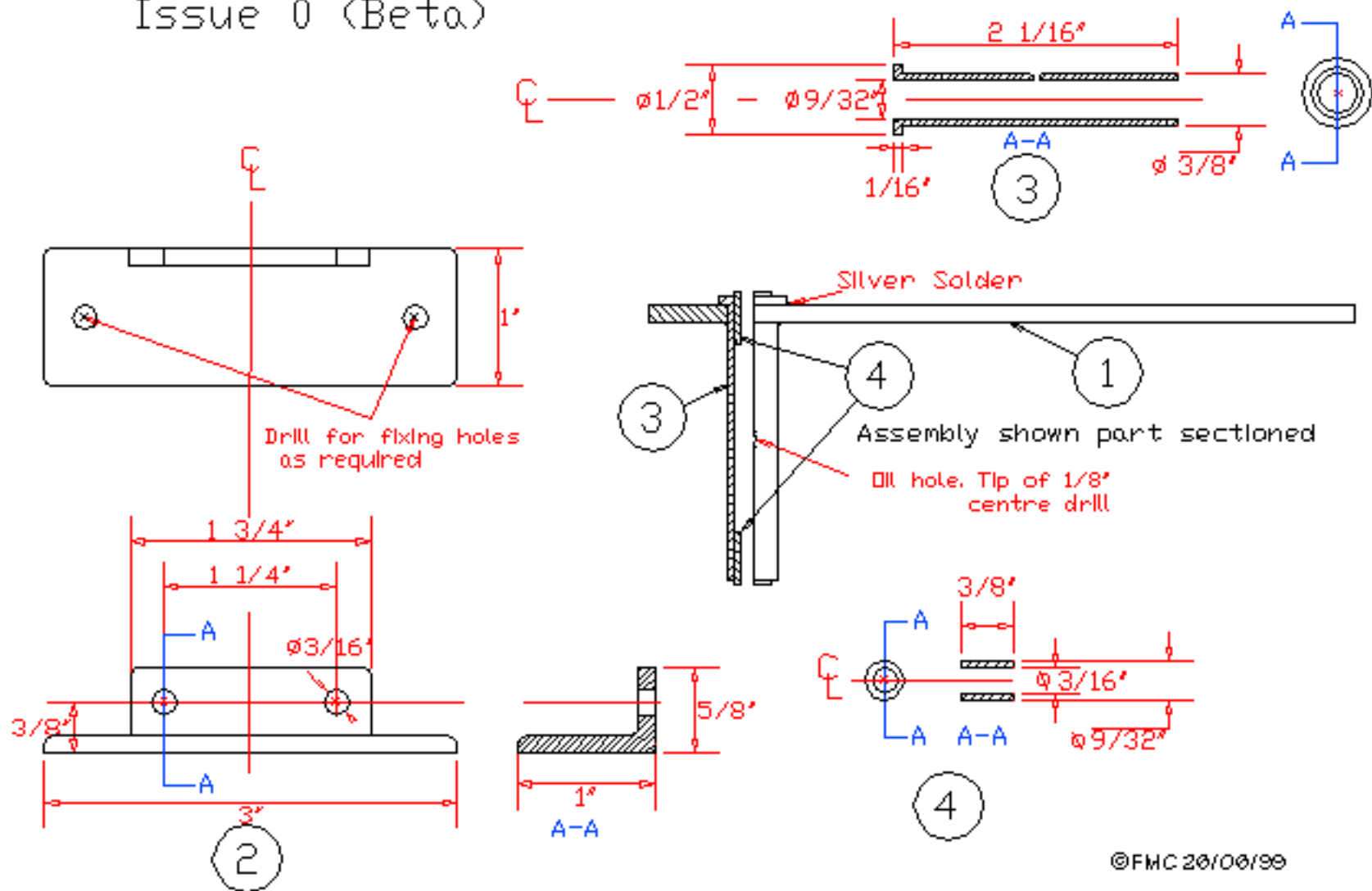
FIZGIG

Sheet 1 - G/A



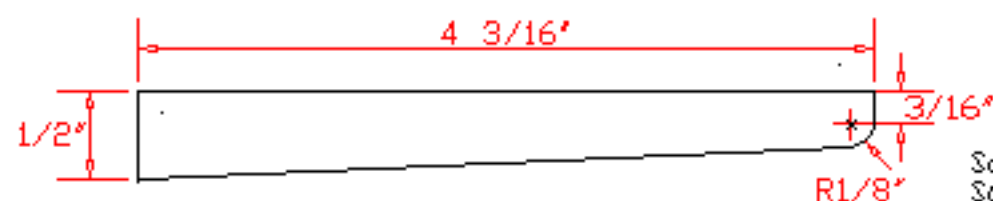
FIZGIG Sheet 2a 1/8" or 3mm bedplate. ☉☐

Issue 0 (Beta)

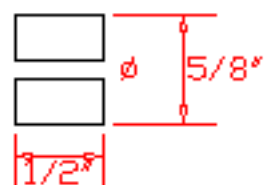
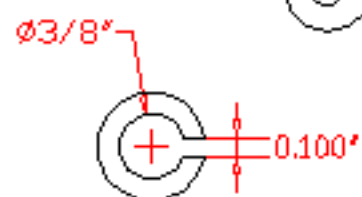


FIZGIG Sheet 2b - 1/10" or 2MM bedplate ☉☐

Issue 0 (Beta)

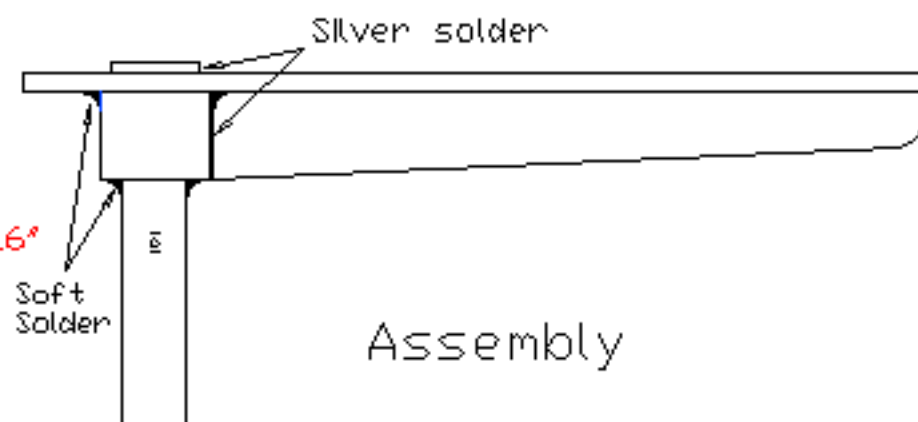
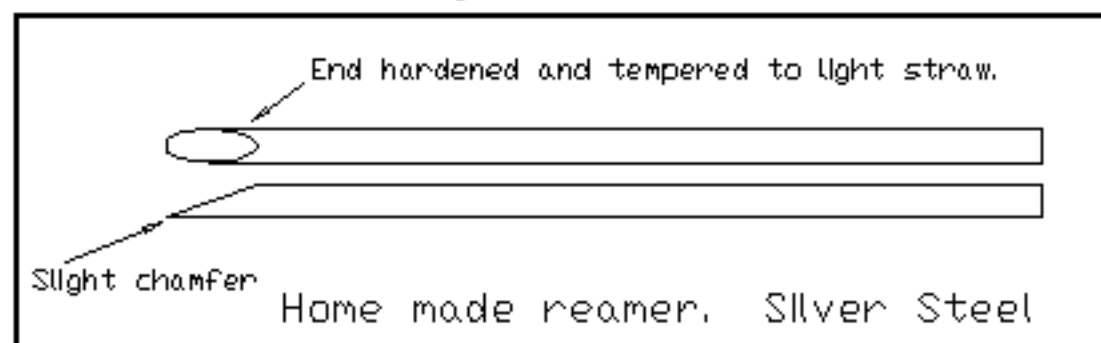


5

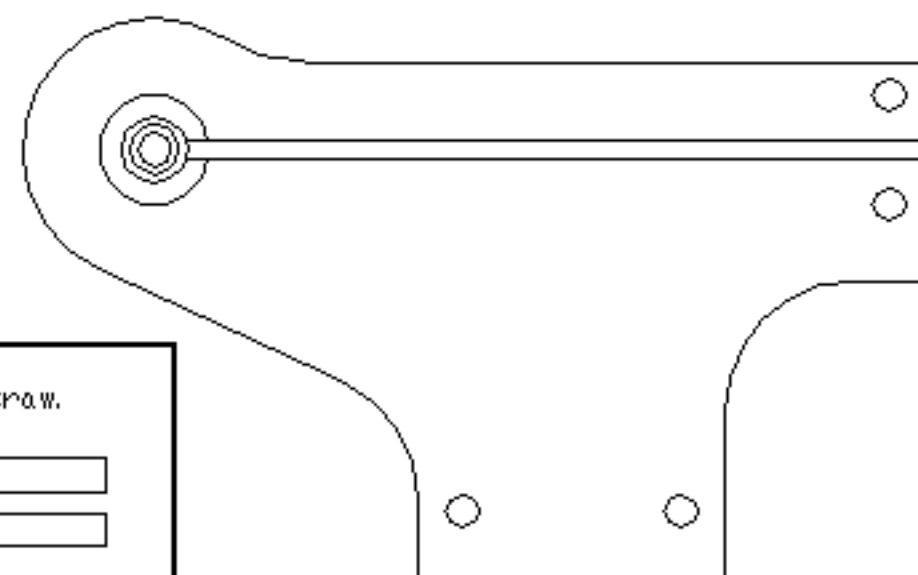


6

©FMC26/06/99



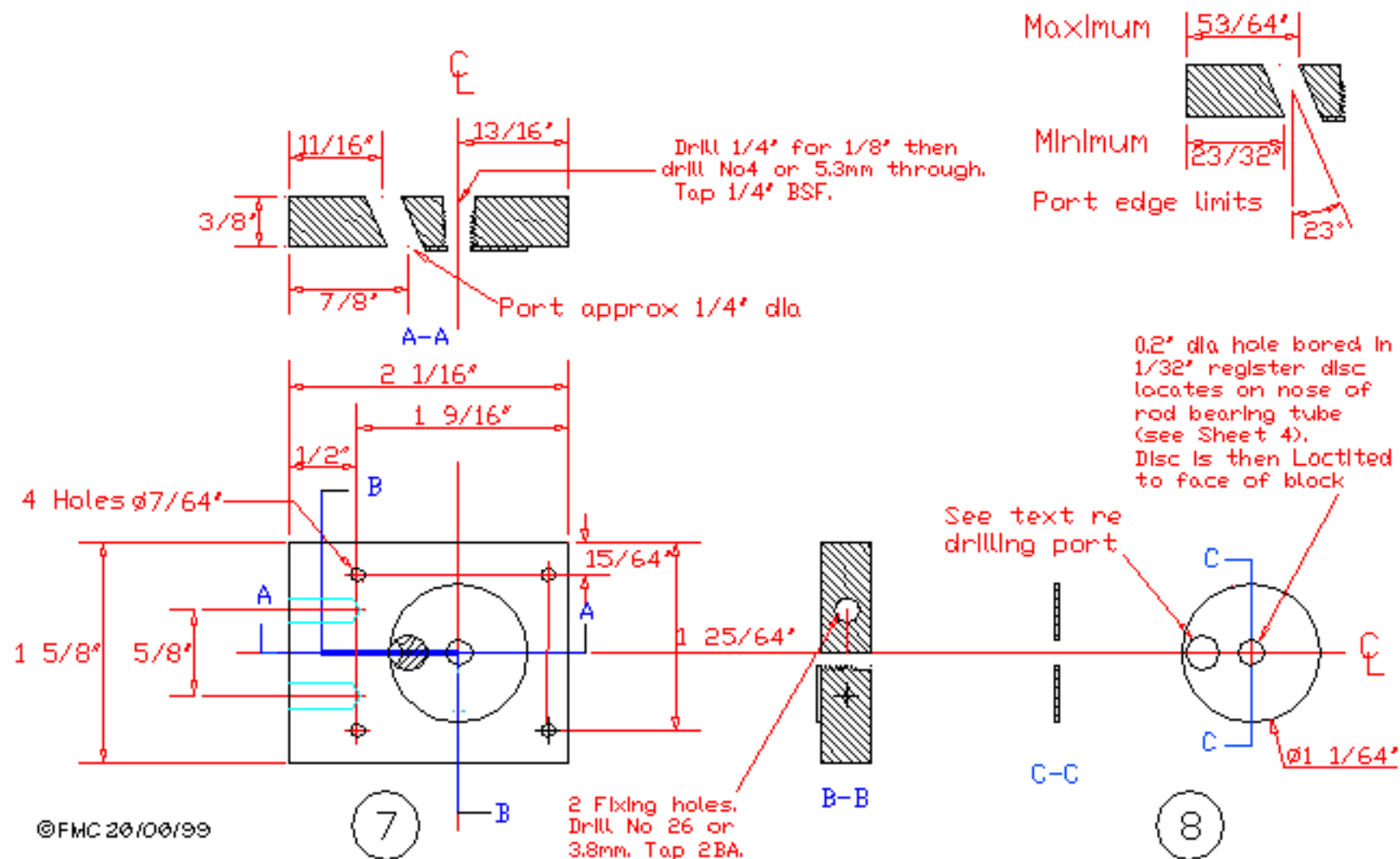
Assembly



Rear view

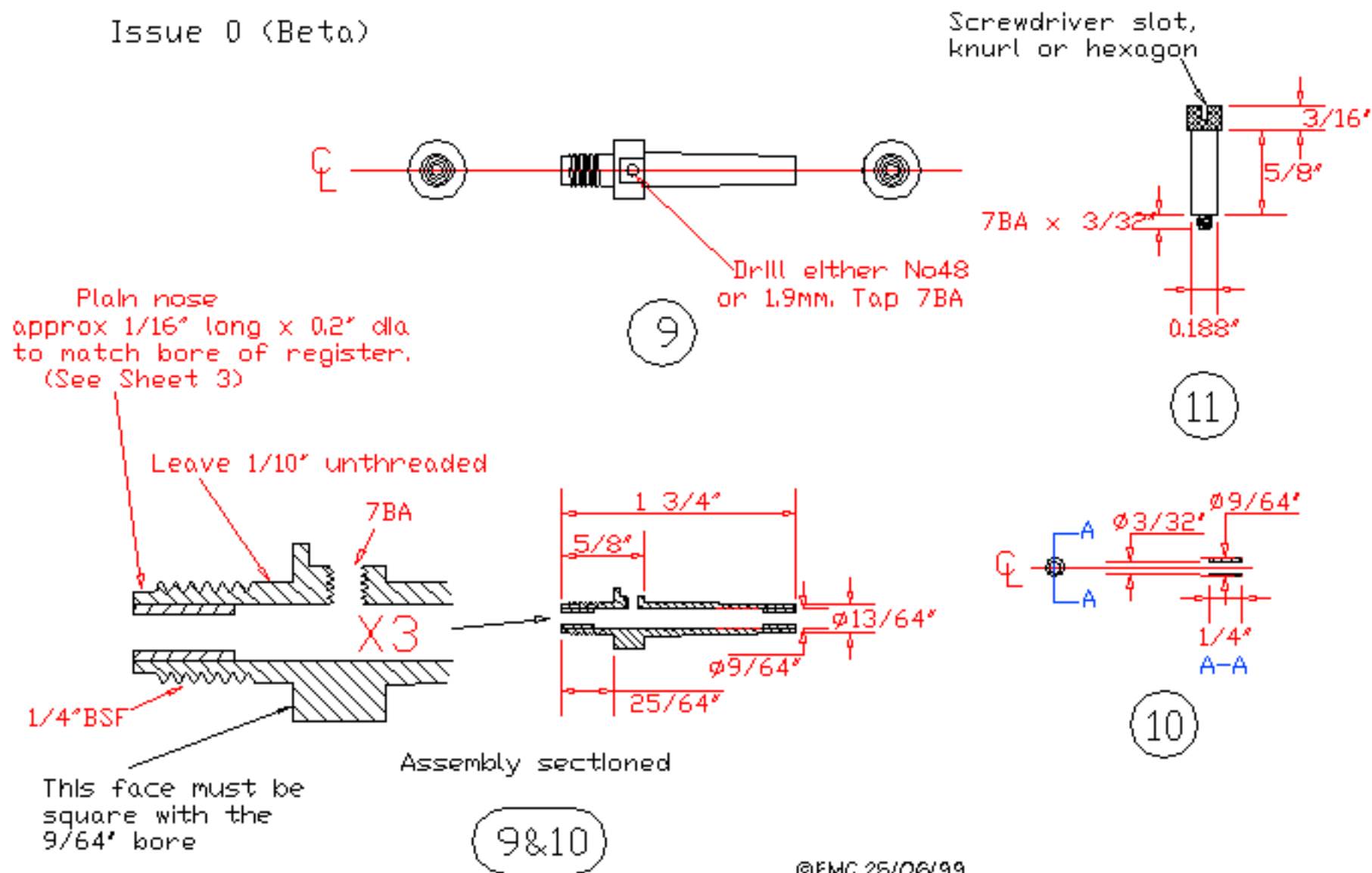
FIZGIG Sheet 3 Mounting block

Issue 0 (Beta)



FIZGIG Sheet 4 Displacer bush tube & bushes

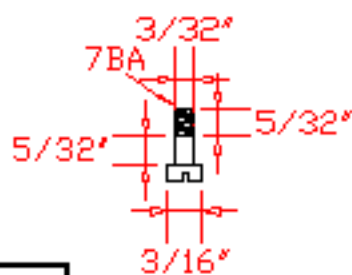
Issue 0 (Beta)



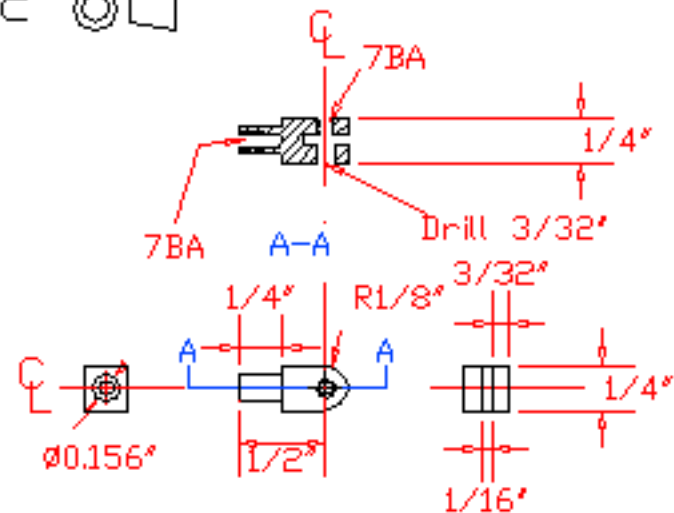
FIZGIG Sheet 5 Displacer etc ☉☐

Issue 0 (Beta)

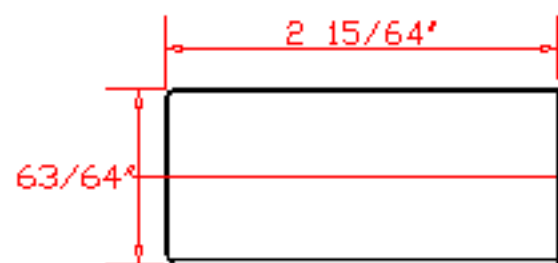
NOTE - Tapping size drill for 7BA may be either No48 or 1.9mm.



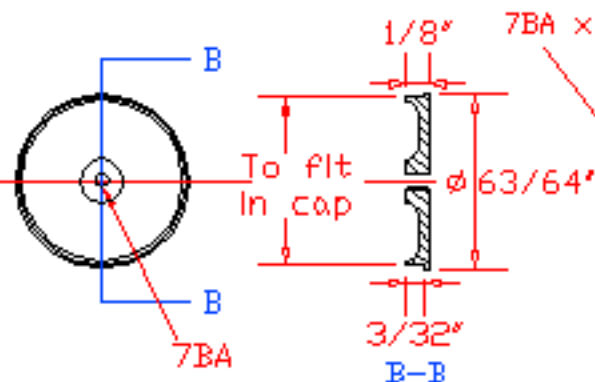
14



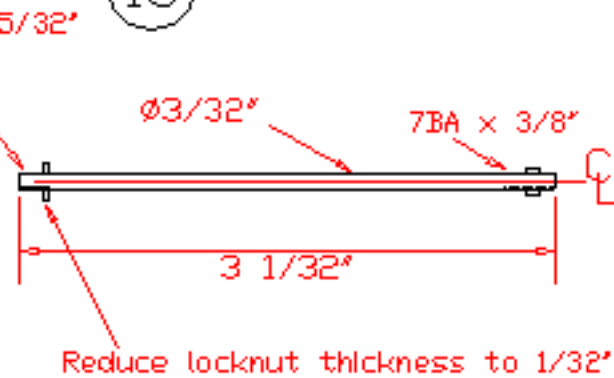
13



15



16

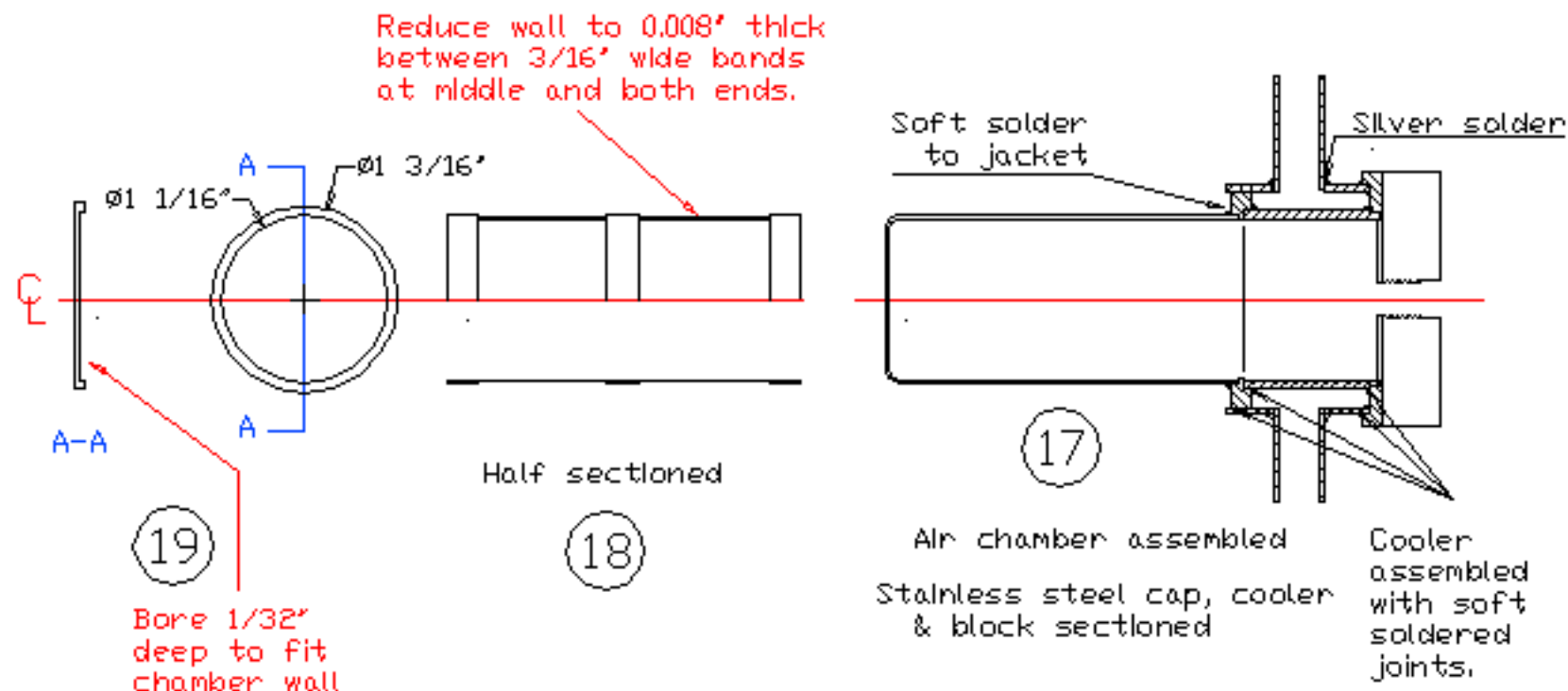


12

Assemble 15 to 16 with Araldite (epoxy resin)

FIZGIG Sheet 6 Air chamber ☉☐

Issue 0/1 (Beta)



Braze 19 to 18 with brass spelter or Sifbronze

NOTE - BOTH caps

Internal length - 2 15/64" (corrected 28/11/99)

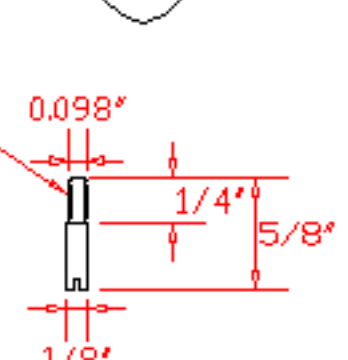
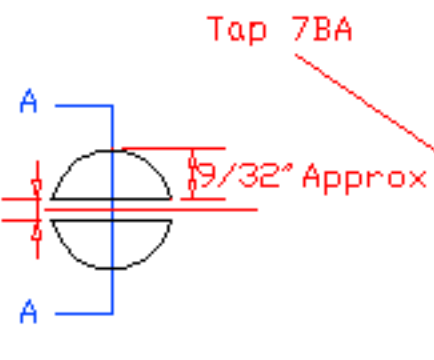
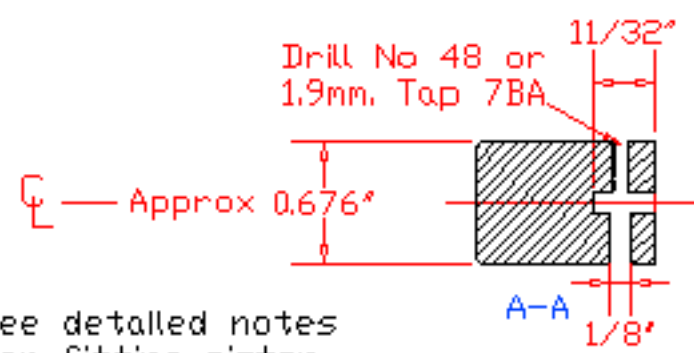
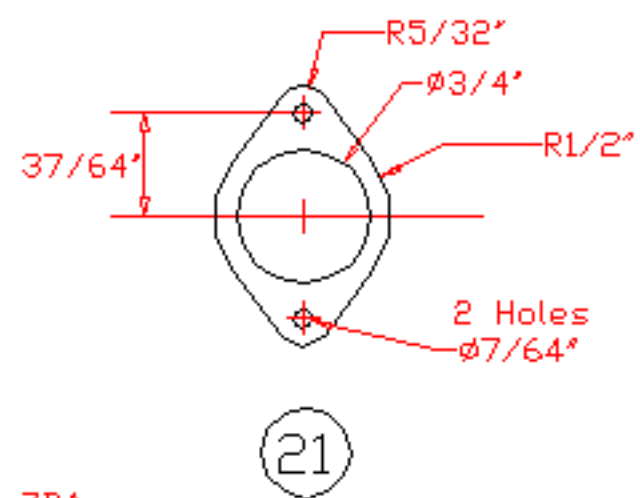
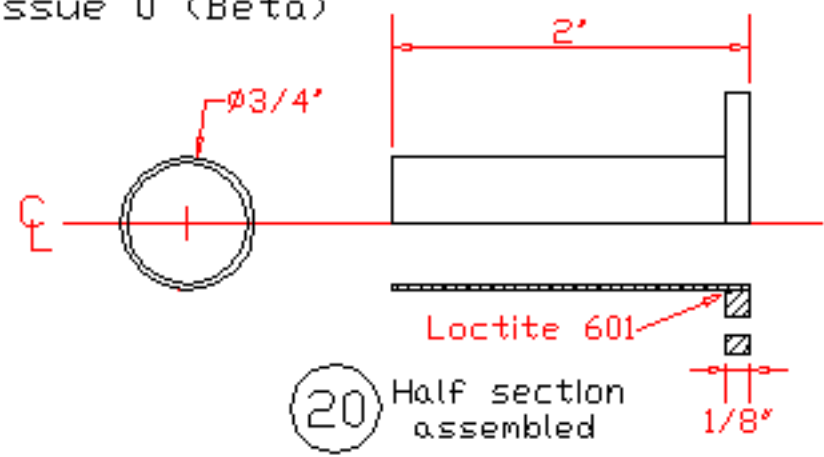
Internal dia - 1 1/64"

External dia at soldered joint - 1 1/16"

Internal length of finished air chamber - 3 9/64"

FIZGIG Sheet 7 Cylinder & Piston

Issue 0 (Beta)

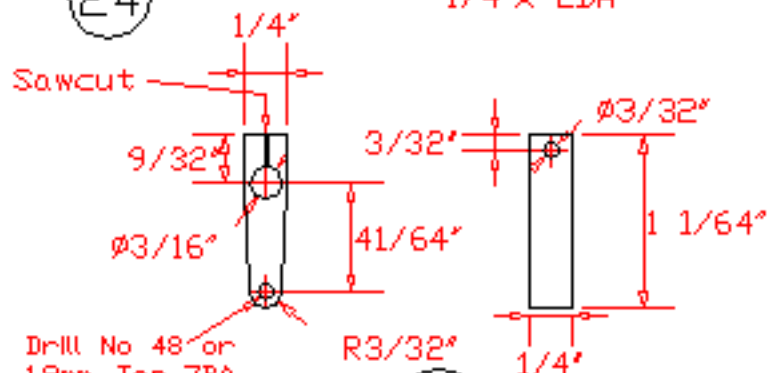
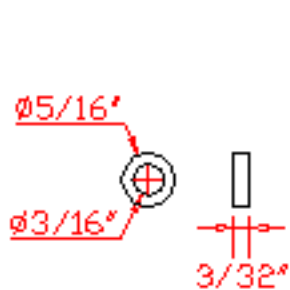
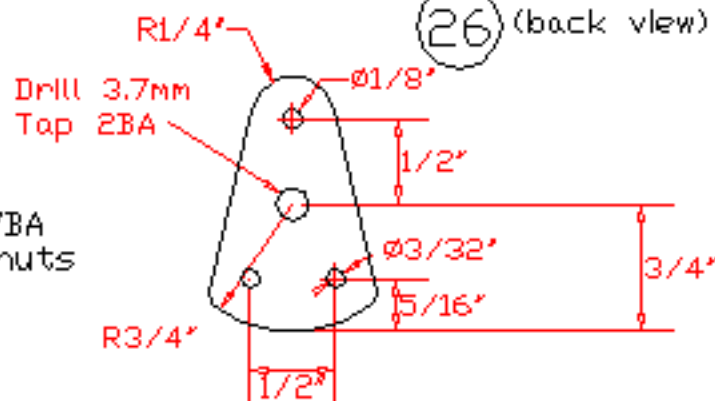
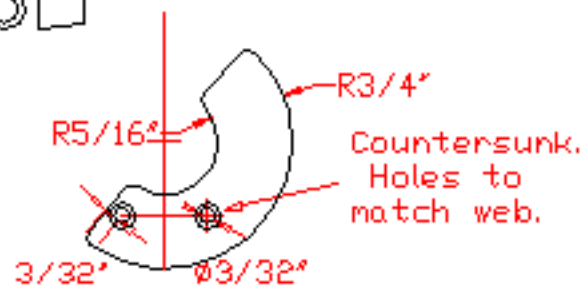
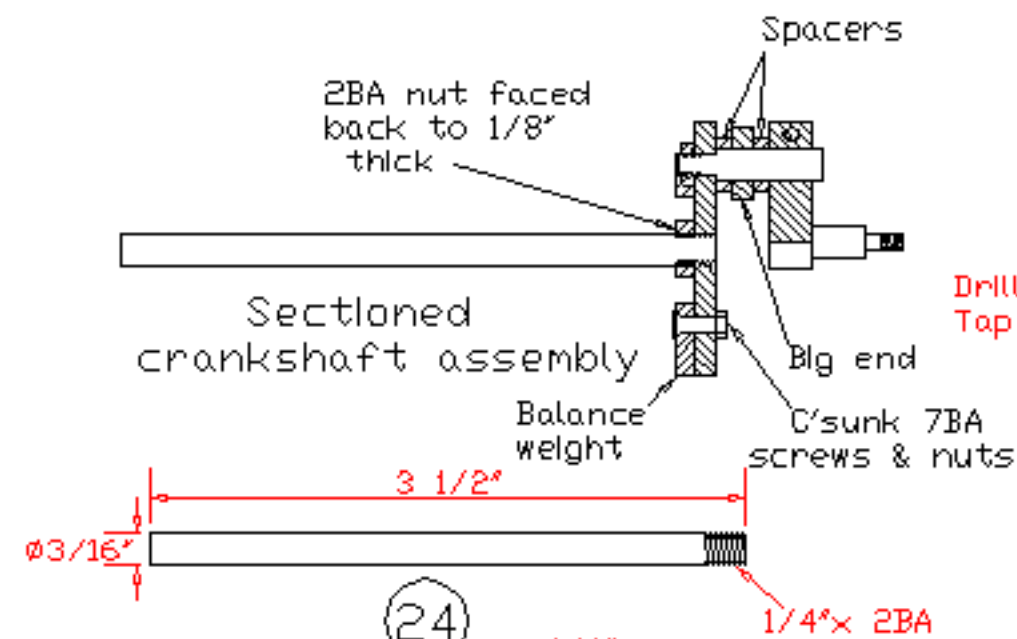


See detailed notes for fitting piston to cylinder

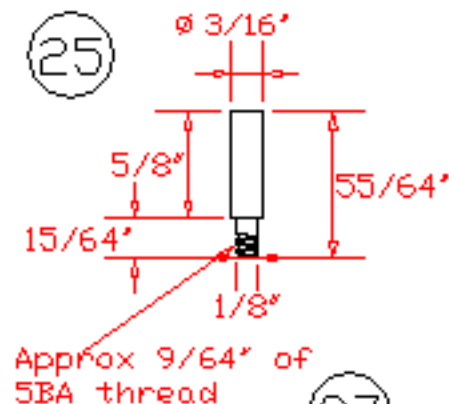
See Sheet 12 for lightweight piston.

FIZGIG Sheet 8 Crankshaft

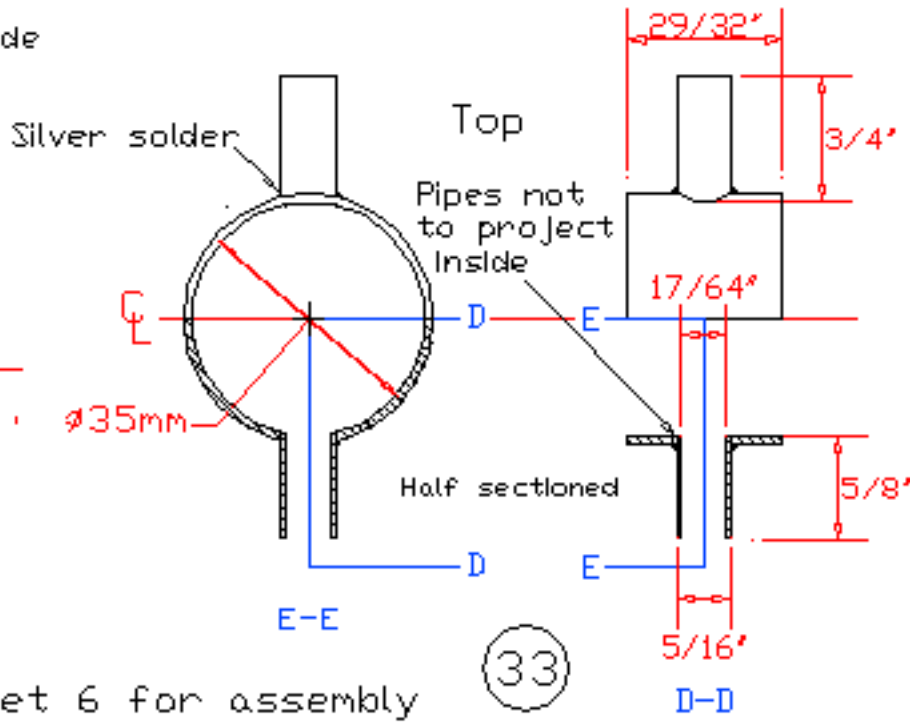
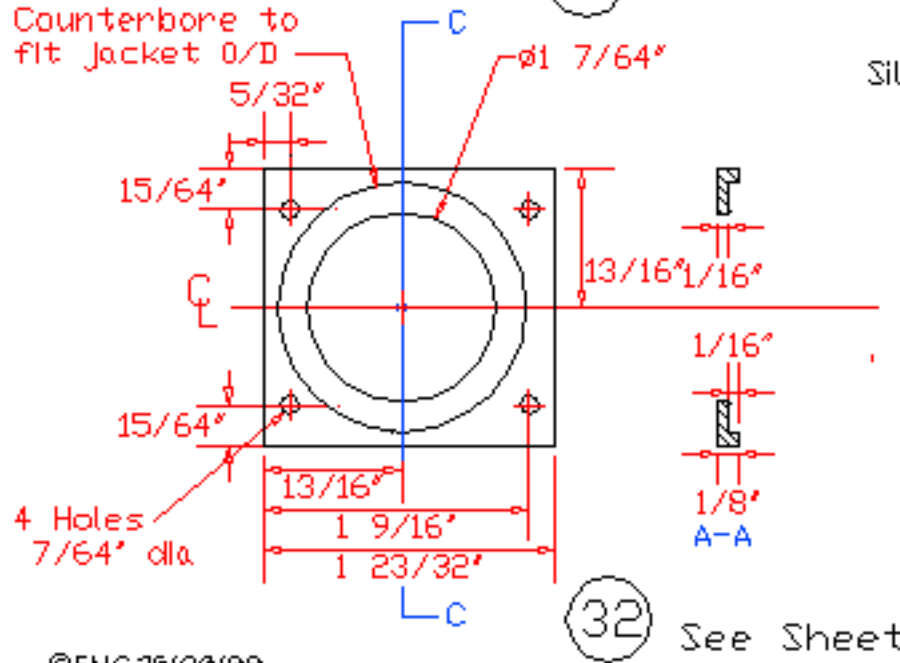
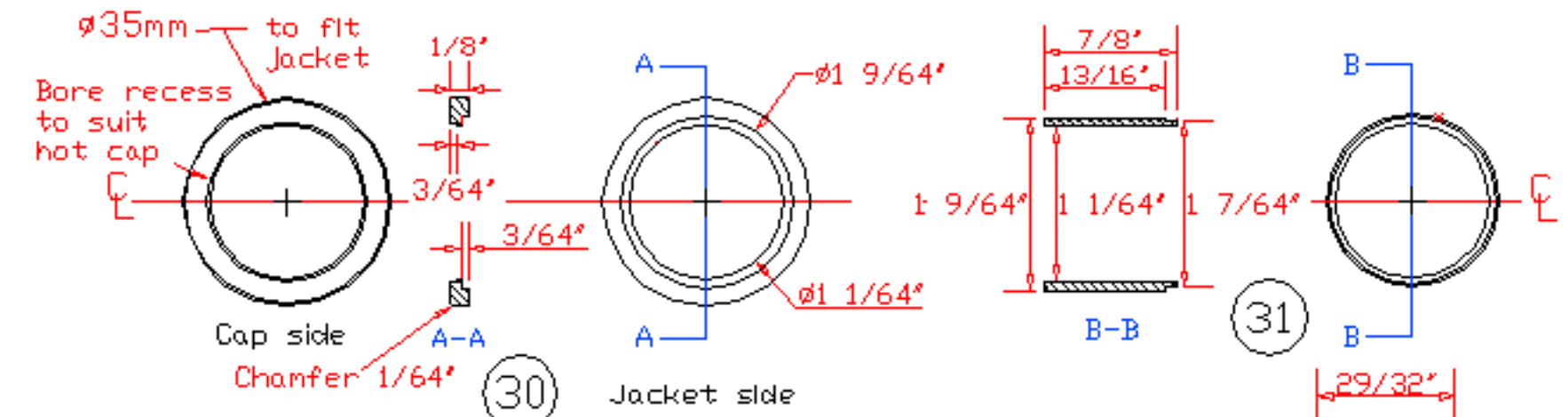
Issue 0 (Beta)



Drill No 48 or 1.9mm. Tap 7BA light countersink



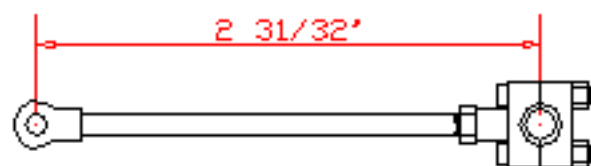
FIZGIG Sheet 9 Water jacket Issue 0 (Beta)



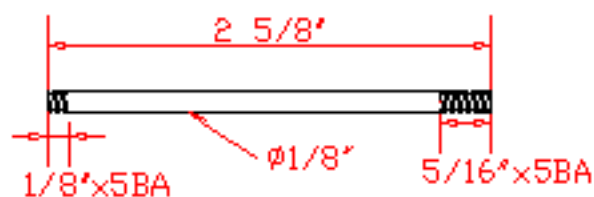
See Sheet 6 for assembly

FIZGIG Sheet 10 Steel con rod.

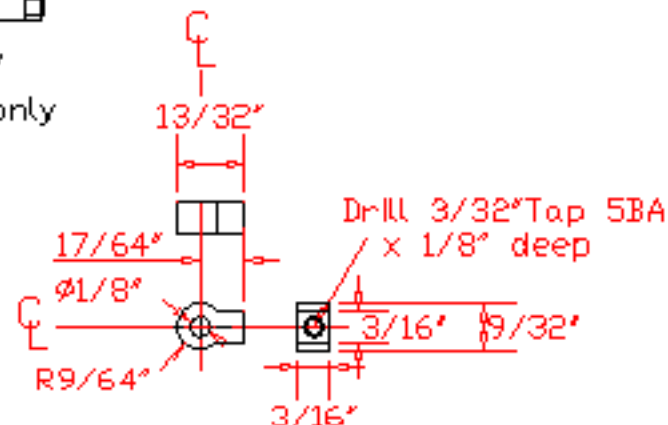
Issue 0 (Beta)



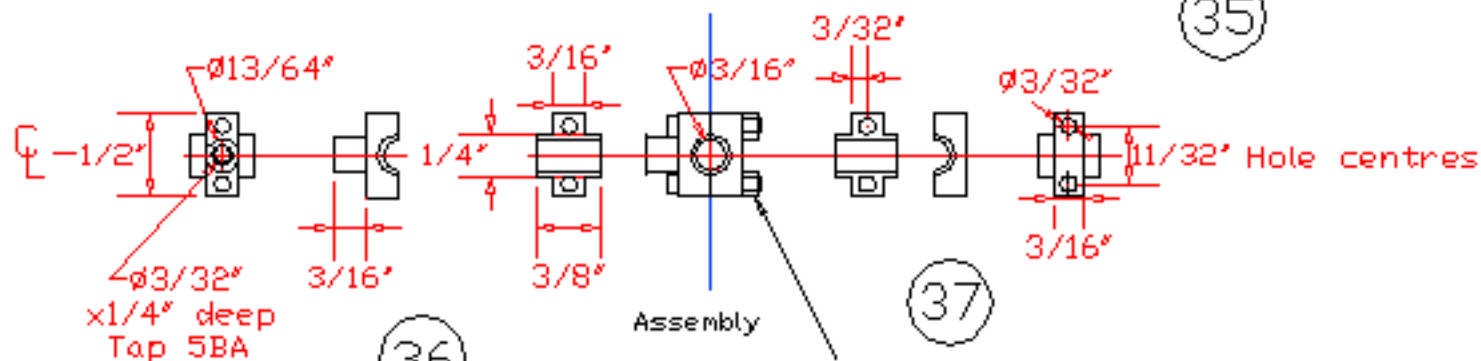
Steel con rod assembly
Suitable for lightweight piston only



34



35



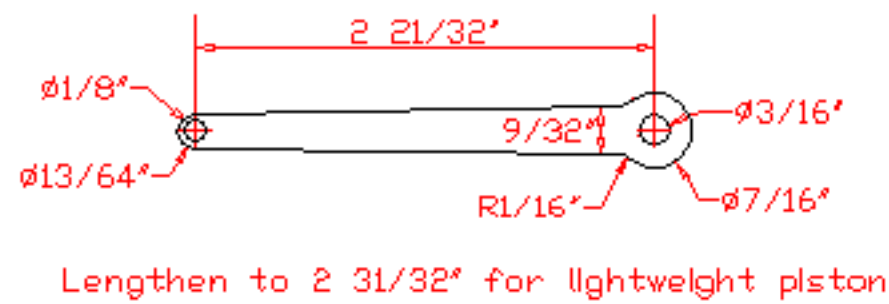
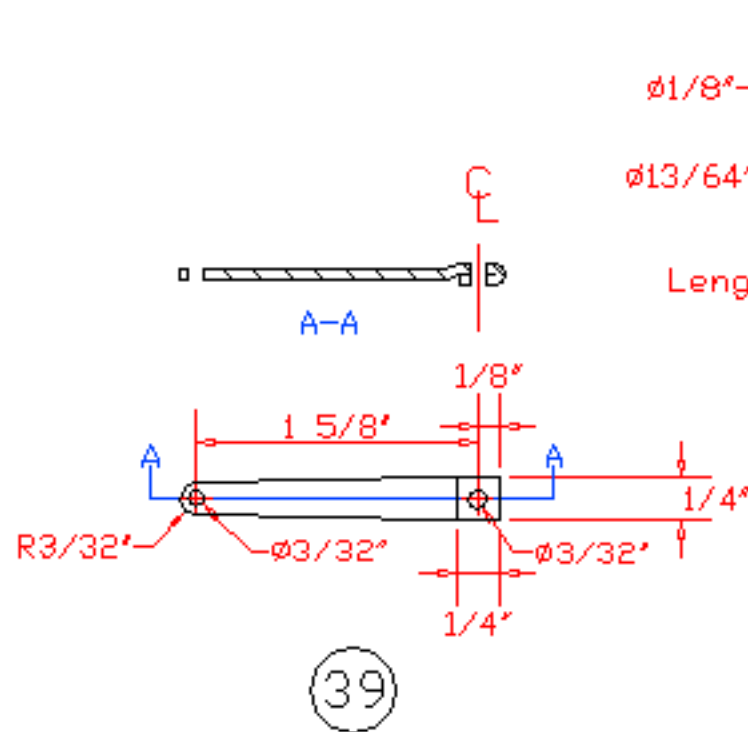
36

37

Hold together with 8BA screws.
Heads reduced to $1/8$ inch dia.

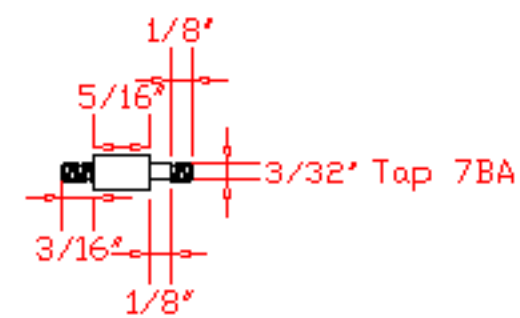
FIZGIG Sheet 11 Aluminium con rods.

Issue 0 (Beta)



Lengthen to $2 \frac{31}{32}''$ for lightweight piston

38

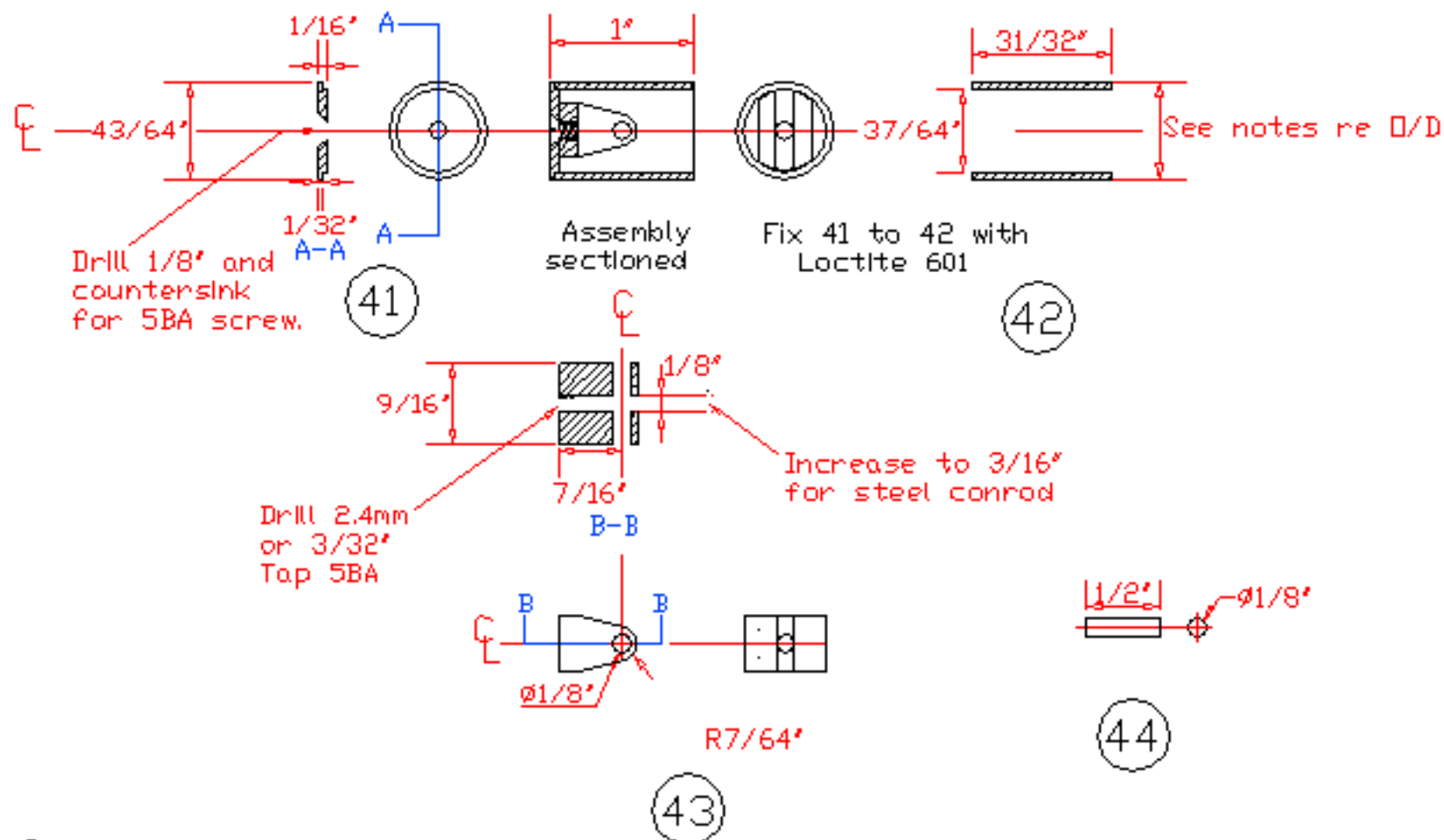


40

FIZGIG Sheet 12 Lightweight Piston.

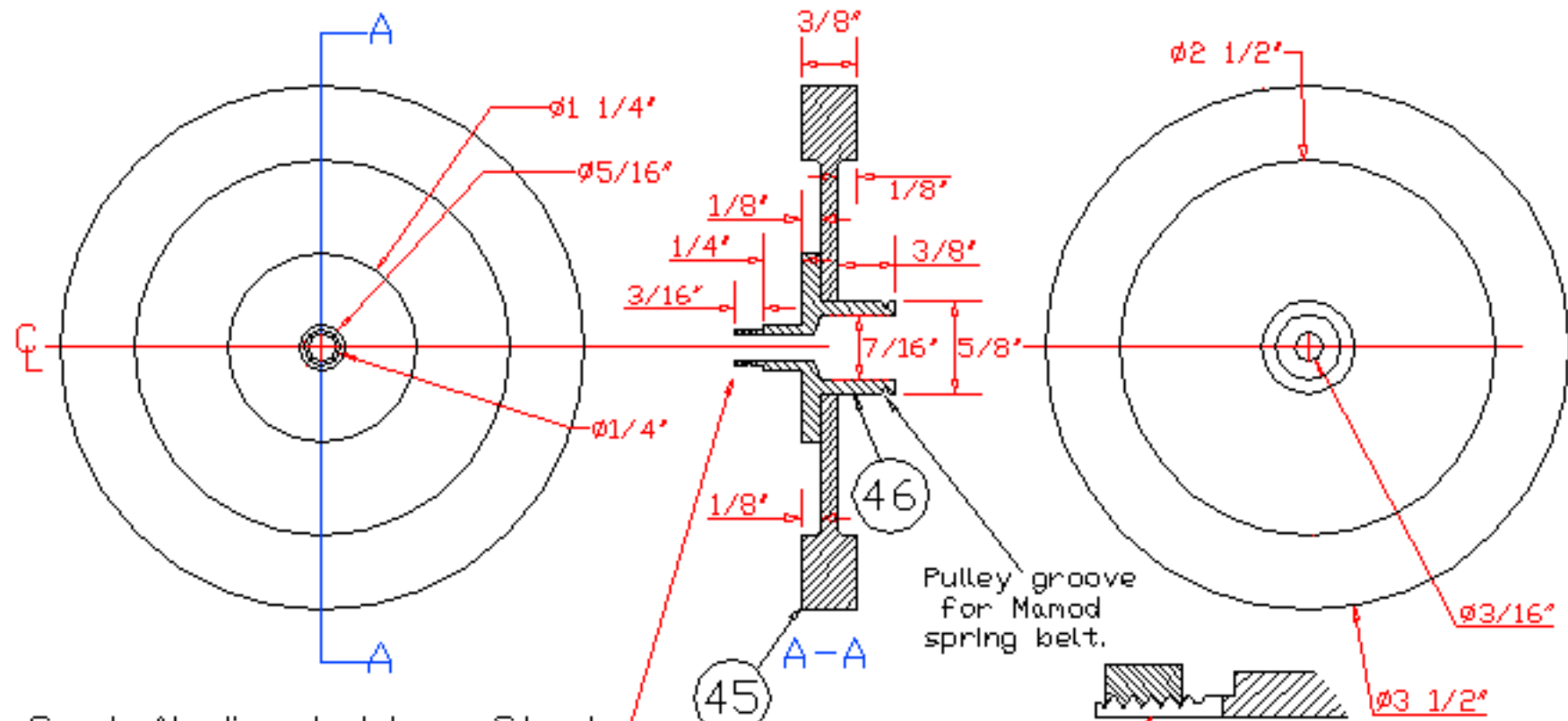
Issue 0 (Beta)

Requires con-rod 2 31/32"
between centres.



FIZGIG Sheet 13 Aluminium Flywheel.

Issue 0 (Beta)



Cast Al disc held on Steel
centre with Loctite 601

Tap $1/4" \times 40$. Make two
cuts with a $0.012"$ jeweller's
or gents saw and close
onto shaft with a nut.

See Sheet 14 for elevations of part 46

Pulley groove
for Mamod
spring belt.

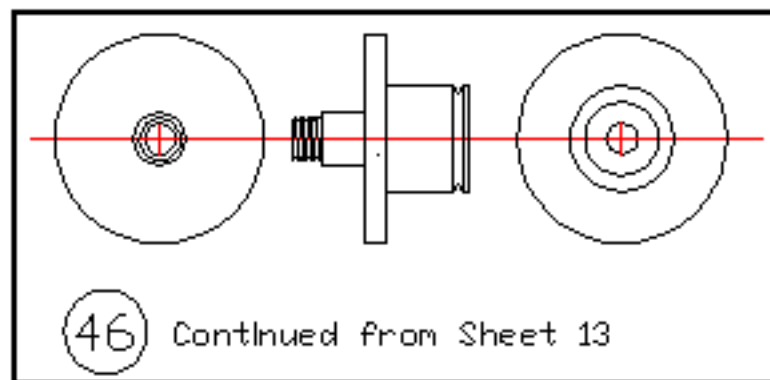
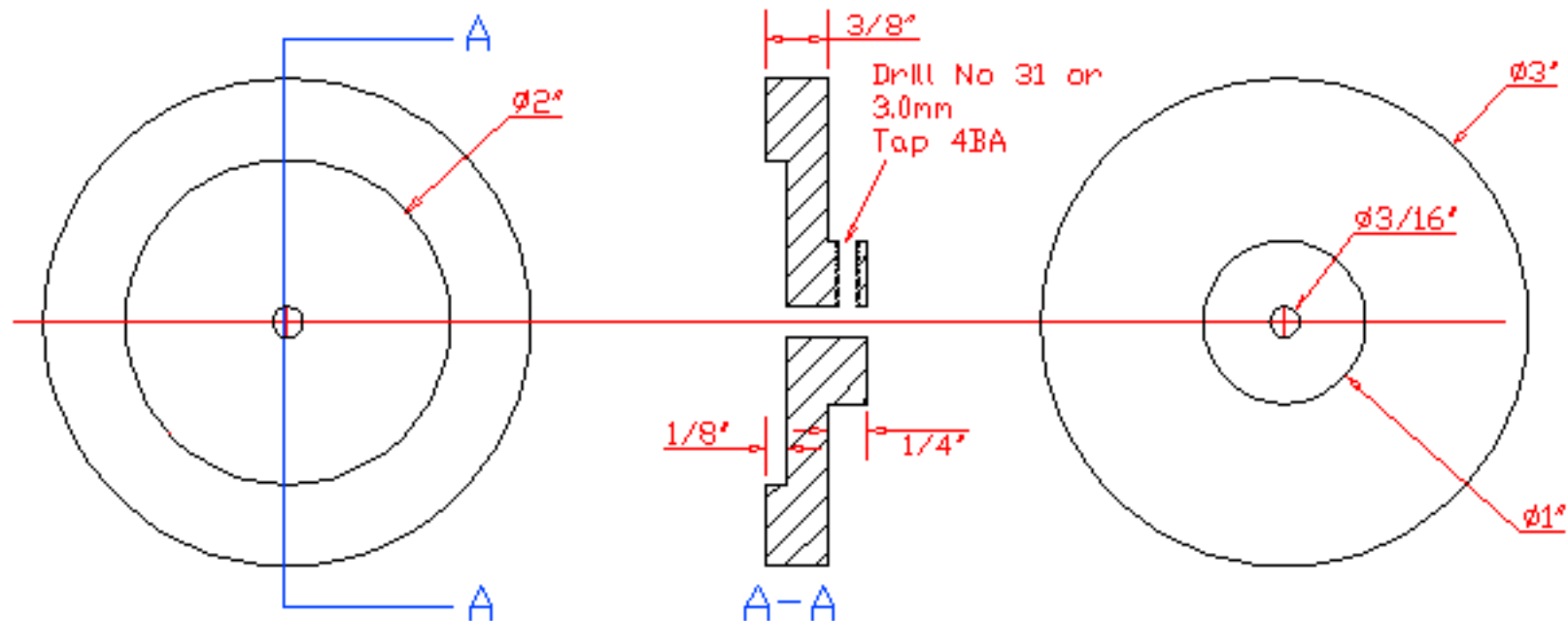
x5

Nut closing on incomplete threads.

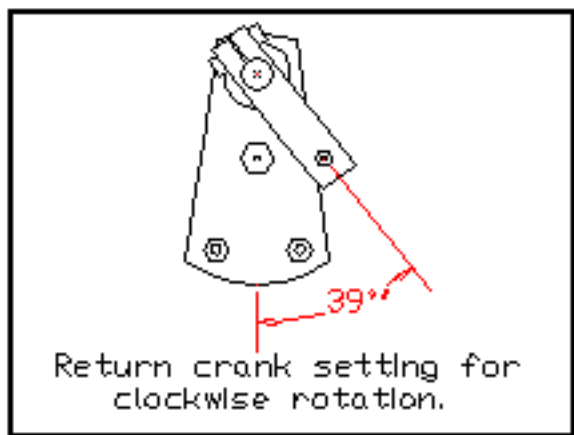
©FMC 25/06/99

FIZGIG Sheet 14 Lead Flywheel. ☺

Issue 0 (Beta)



47



Part Numbers - Sheets 2 to 8

No	Qty	Description	Material	Notes
1	1	Bedplate	Steel	Cut from 2mm or 1/10" or 3mm or 1/8" sheet 2mm or 1/10" material will require parts 5 & 6
2	1	Foot	Steel	Cut from 1"x 1" angle
3	1	Crankshaft bearing tube	Steel	From 1/2" rod
4	2	Crankshaft bearing bush	Brass	5/16" dia rod
5	1	Stiffening web	Steel	2mm or 1/10" sheet
6	1	Collar	Steel	5/8" dia rod or scrap material
7	1	Mounting block	Aluminium	Casting or Bar
8	1	Register disc	Aluminium	1/32" sheet
9	1	Displacer rod bush tube	Steel	1/2" dia rod
10	2	Displacer rod bush	Brass	3/16" dia rod
11	1	Oil Hole sealing screw	Steel	1/4" dia rod or 5BA hex
12	1	Displacer rod	Silver Steel	3/32" dia rod
13	1	Displacer rod fork	Brass	
14	1	Displacer rod fork screw	Steel	
15	1	Displacer shell	-----	Aluminium or Stainless Steel, see text
16	1	Displacer shell end disc	Aluminium	1" dia rod
17	1	Hot cap	-----	Stainless Steel from Sterling Stirling
18	1	Hot cap barrel	Mild Steel	Alternative to above. Requires part No 19
19	1	Hot cap end disc	Mild Steel	
20	1	Cylinder barrel	Brass	3/4" drawn tube
21	1	Cylinder base flange	Mild Steel	1/8" sheet
22	1	Solid piston	Aluminium	1" dia rod
23	1	Gudgeon pin	Silver Steel	1/8" dia rod
24	1	Crankshaft	Silver Steel	3/16" dia rod
25	1	Web	Mild Steel	1/8" sheet
26	1	Balance weight	Lead	1/8" sheet
27	1	Crankpin	Silver Steel	3/16" dia rod
28	1	Return crank	Mild Steel	1/4" square bar
29	2	Spacers	Mild Steel	5/16" dia rod or scrap material

